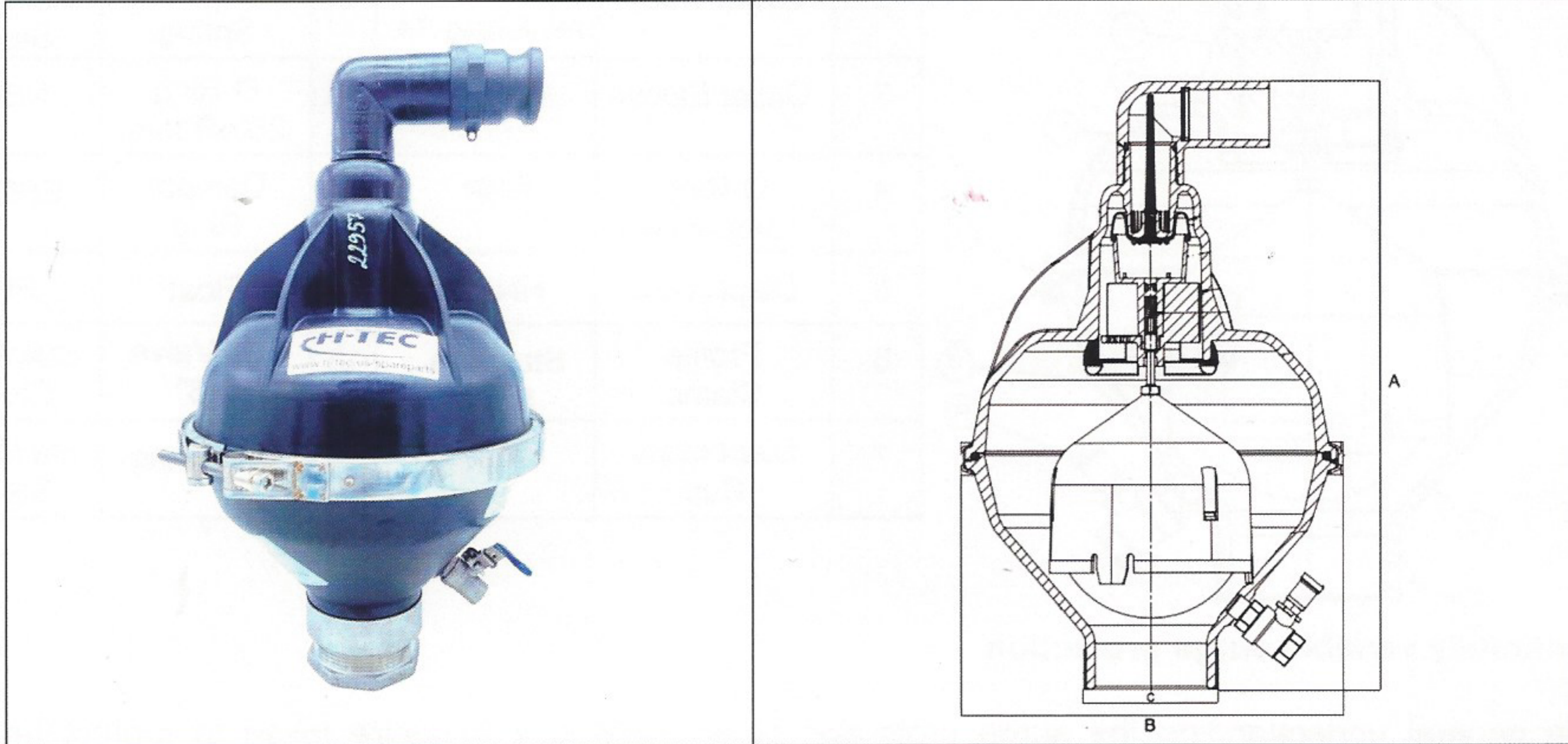


# Automatic Air and Vacuum Valve for Waste Water



## Model 989-00 PA66

Automatic air release and vacuum valve, short body, HDPE,  
for operating ranges: 0 – 150 PSI (10 Bar),  
outdoor application possible



Type	Size C FNPT	Range Of Pressure PSI/Bar	Overall Height A Inch/mm	Overall Width B Inch/mm	Weight lbs./Kg
Thread	2" and 3" FNPT	0 – 150 PSI 0 – 10 Bar	19.5" 495 mm	11.5" 292 mm	13.5 lbs 6 kg

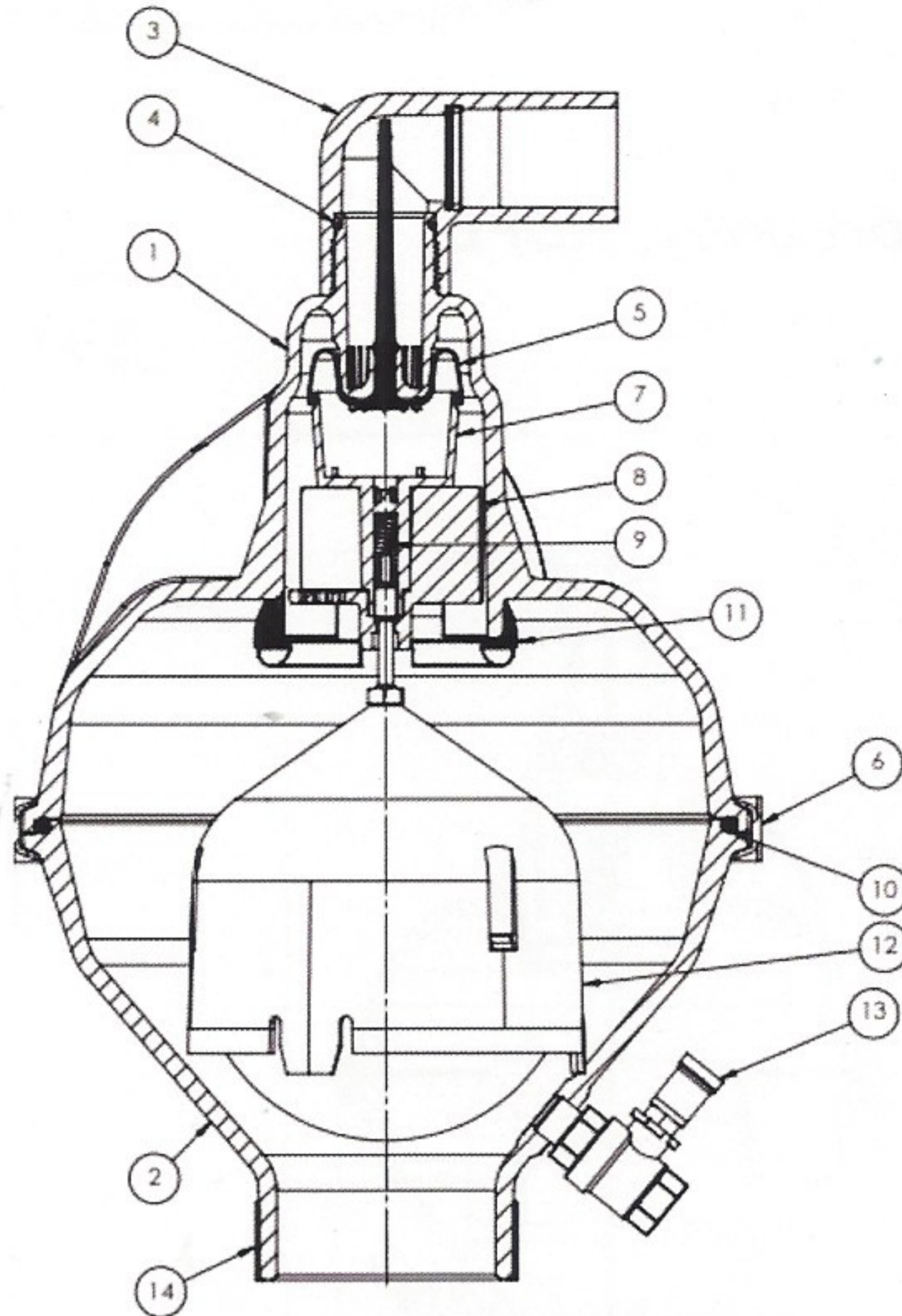
### Features:

- Automatic and infinitely variable air valve for waste water.
- Valve comes with a 316 Stainless Steel bushing allowing a 2" or 3" FNPT connection.
- The low weight of the air valve allows for an easy and quick install.
- Recommended for outdoor application in frost-free areas.
- Maximum Operating Pressure: 150 PSI (10 Bar)
- Operating Range: 0 – 150 PSI (0 - 10 Bar)
- Valve body made of High Density Polyethylene (HDPE).
- Valve seat does not contact the medium (air cushion).
- All mechanical parts are manufactured of corrosion-resistant materials.

### Valve Maintenance:

- The valve can be quickly opened and closed during maintenance and cleaning due to the profile clamp made of stainless steel.
- Air valves must be tested for function and maintained at least once per year.

# Automatic Air and Vacuum Valve for Waste Water



No.	Part	Material	No.	Part	Material
1.	Upper Body	Glass fiber reinforced PA	8.	Float Rod	Stainless Steel
2.	Lower Body	Glass fiber reinforced PA	9.	Pressure Spring	Stainless Steel
3.	Outlet Elbow	HDPE	10.	O-Ring 260x6 mm	NBR
4.	O-Ring 34x3 mm	NBP	11.	Damper Ring	EPDM
5.	Diaphragm	HNBP	12.	Float	PP
6.	Profile Clamp	Stainless Steel	13.	Ball Valve 3/8"	Stainless Steel
7.	Diaphragm Cup	POM	14.	Outer-ring	Stainless Steel

## Infinitely variable surge protection

In general understanding the surge protection of an ARV is a measure taken to protect the pipeline system. Filling of the pipeline should be within international standards to prevent water hammer (5ft/s) or (0,25m/s) and correct opening and closing of valves is fundamental.

The design of the H-TEC model 989-00 PA66 ARV allows for large volumes of air (in/out). The unique function for infinite air release/intake, due to the automatic movements of the diaphragm in operation modus, (e.g. fluid level rises, diameter of orifice is reducing infinitely variable) soft sealing and slowing the water column preventing water hammer.

Traditional ARV's operate with two functions: open or closed. The rubber diaphragm of the H-TEC model 989-00 PA66 is infinitely variable operating. In case of increased velocity in the valve the float will lift slow and throttle down the air flow. This function slows the water column, water hammer from this ARV will not occur. The H-TEC model 989-00 PA66 ARV has an integrated pressure spring on the vertical shaft attached to the float. This mechanical feature protects from vibrations, smooth function, prevents amplified movements. No additional surge prevention unit necessary.

